

Vader BWS 750

LED BWS



FEATURES

1. Ultra Bright: 550W > 800W
2. All-in-one power: Hybrid CMY, Animation Wheel, 2 frosts, 2 prisms
3. Dual HD gobo wheels for quick and tool-free gobo changes
4. Professional Dimming: Smooth Dimmer Curve+No Flicker
5. Super Quiet.
Made for noise-sensitive spaces like theaters
6. Compact Design, weighs only 21kg

36CH	FUNCTION	36CH	FUNCTION
1	Pan	19	Dimmer Curve
2	Pan Fine	20	Prism1
3	Tilt	21	Prism1 Rotation
4	Tilt Fine	22	Prism2
5	Colour Wheel	23	Prism2 Rotation
6	Colour Wheel Fine	24	Zoom
7	Cyan	25	Zoom 16Bit
8	Magenta	26	Focus
9	Yellow	27	Focus 16 bit
10	Colour Temperature	28	Auto Focus Distance
11	Fix Gobo	29	Auto Focus Distance Fine
12	R-Gobo	30	Iris
13	Gobo Rotation	31	Frost1
14	Gobo Rotation Fine	32	Frost2
15	Dimmer	33	Flame ON/OFF
16	Dimmer Fine	34	Flame Wheel
17	Strobe	35	Scan Speed
18	Dimmer Frequency & Speed	36	Control

SPECIFICATION

OPTICS

- Light Source :550W White LED Module
- Lifetime: 50000 Hours
- Lumen: 22203 lm
- Color temperature:
-CRI: at least 70, CT 6900K
-CRI: at least 90, CT 7000K

MOVEMENT

- Pan movement:540° (16 bit)
- Tilt movement :270° (16 bit)
- Automatic reset function

COLORS

- Colors wheel:1+6colors, Bi-directional rainbow effect
- Linear CMY+CTO

GOBOS

- Fixed gobo wheel: 8 gobos + open
- Rotating gobo wheel:
7 HD interchangeable gobos +open
- Rotating Gobo size:Outside-22.9MM
Inside-15.5MM;Thickness-1.1 MM
- Bidirectional variable rotation, Index functions
Bi-directional changeable speed shake effect
changeable speed and flow effect
- Fixed and Rotating gobos are interchangeable
- Animation Wheel:Unlimited rotation
flow and flame effect

FEATURE

- Prism: 2 pcs rotating prisms
4-facet circular prism and 6-facet linear prism
(3,5,8,16 prism option)
- Iris: Linear adjustable with macro
- Frost:Linear heavy frost and light frost
- Focus: Motorized;AUTO-FOCUS
- Zoom: 4.5°-48°linear adjustment, smooth and fast
- Dimmer: 0-100% linear dimmer
- Strobe: Electronic strobe,0.3-20Times/SEC

CONTROL AND PROGRAMMING

- Standard mode: 36/28 channels
- Fan mode: AUTO/FAST/LOW/SUPER LOW
- Control mode: DMX512, Protocols RDM,
CRMX Wireless DMX and Art-Net,sACN
- DMX and RDM data in/out

OTHER FUNCTION

- 2.4inch color LCD screen
- High reliability touch button
- Support auto flip display
- Support Multi-language
- Automatic monitoring of light source temperature
high temperature automatic protection
- Intelligent cooling system

- USB and DMX512 Software update
- Display light use time
- Low level linearity, flicker free film TV
- 100%brightness without stroboscopic problem
- Menu setting by internal rechargeable battery
without power supply
(3.7V rechargeable lithium-ion battery)
- Intelligent control of wind speed
- Reverse display
- Control panel lock
- Manual programming
- Maintenance mode

POWER SUPPLY AND CONNECTIONS

- Input voltage:100V~240V AC 50/60Hz
- Rate power:730W@220V
- Power socket: power connector input and output
- DMX and RDM data in/out:
Locking 3-pin&5-pin XLR

HOUSING

- Environmentally friendly flame retardant materials
- High temperature resistant engineering plastics
- Device locking PAN and TILT mechanisms for
transportation and maintenance
- Intellectual property rights of appearance and
structure design

IP GRADE

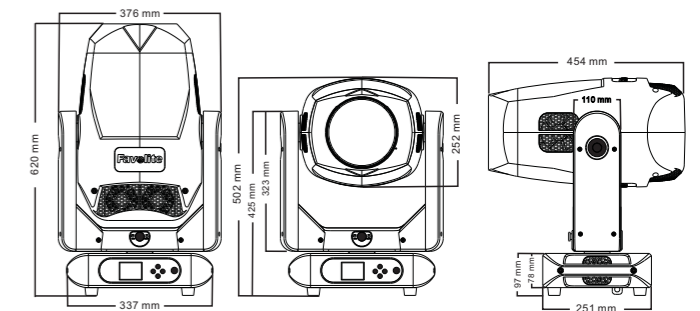
- IP:20

DIMENSION

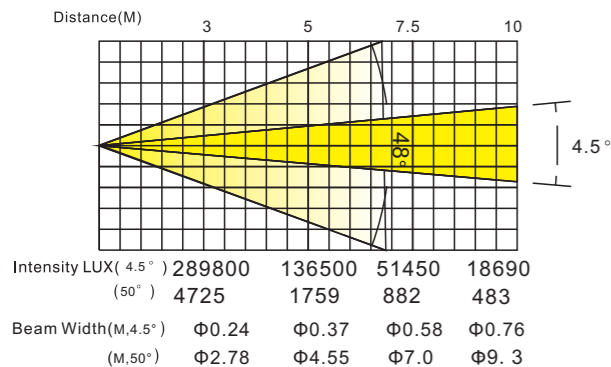
- Product Size: 376 x 251 x 620 MM
-14.80 x 9.88 x 24.41
- Carton size(1in1):486x355x715MM
-19.13" x 13.98" x 28.15"
- Flight case size(2in1):582x544x699MM
-22.91" x 21.42" x 27.52"

WEIGHT

- Net weight:21KG



Photometrics



FIXED



ROTATING

